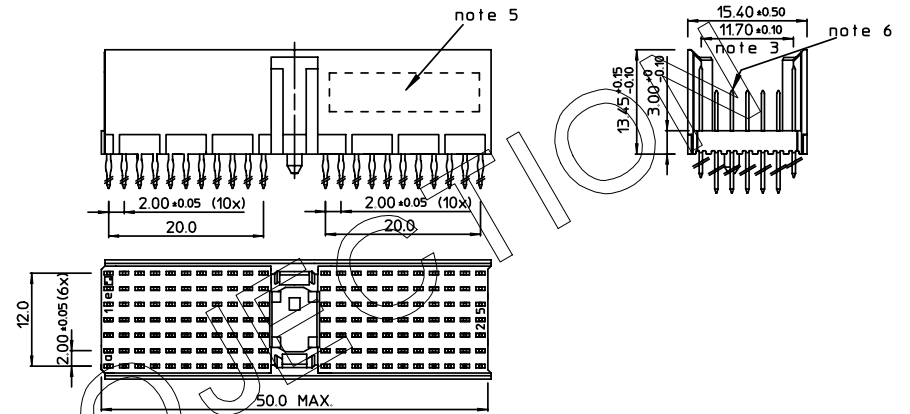


LOADING PATTERN MATING SIDE

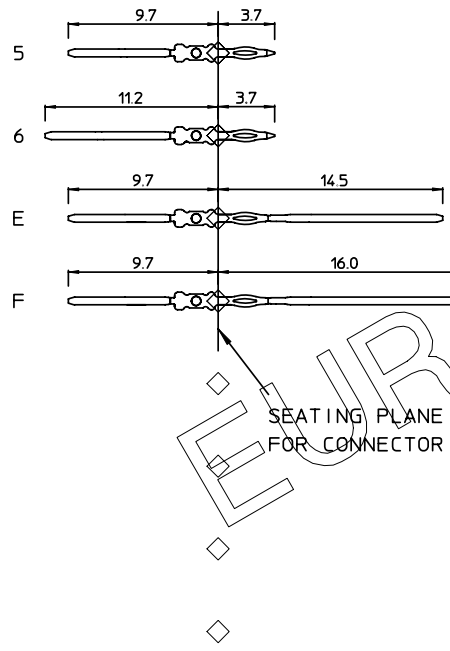
f	6	6	6	6	6	6	6	6	6	6	6	6	6	6	6	6	6	6	6	6		6	6	6	6	6	6	6	6	6	6	6	6	6	6	6
e	5	5	5	5	5	5	5	5	5	5	5	5	5	5	5	5	E	5	5	5	5	5		5	5	5	5	5	5	5	5	5	5	5	5	E
d	5	5	5	5	5	5	5	5	5	5	5	5	5	5	5	E	5	5	5	5	5		5	5	5	5	5	F	5	5	5	5	5	5	F	
c	5	5	5	5	5	5	5	5	5	5	5	5	5	5	5	F	5	5	5	5	5		5	5	5	5	5	F	5	5	5	5	5	5	F	
b	5	5	5	5	5	5	5	5	5	5	5	5	5	5	5	E	5	5	5	5	5		5	5	5	5	5	E	5	5	5	5	5	5	E	
a	5	5	5	5	5	5	5	5	5	5	5	5	5	5	5	E	5	5	5	5	5		5	5	5	5	5	E	5	5	5	5	5	5	E	
z	6	6	6	6	6	6	6	6	6	6	6	6	6	6	6	6	6	6	6	6	6		6	6	6	6	6	6	6	6	6	6	6	6	6	6
SOP	0	1	0	5	1	0	5	1	0	5	2	0	5	2	0	5																				

LOADED CONNECTOR ASSEMBLY (FOR EXAMPLE)

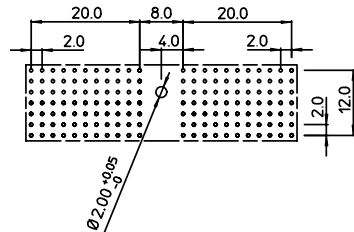


SHEET NR. : 593

CONTACT OVERVIEW



LAY-OUT P.C.B.-HOLE



HM2P07PNU1F1 [] [] LEAD FREE INDICATOR : LF = LEAD FREE (DIGIT 15 & 16)

PLATING CODE (DIGIT 13 AND 14) (REF DWG No. BS.C , 201844.003)

NOTES:

1. THIS PRODUCT IS CSA APPROVED.
2. THIS PRODUCT IS UL RECOGNIZED.
3. MEASURED AT THE BOTTOM.
4. MATERIAL CONTACT: PHOSPHORBRONZE
HOUSING: CREAM WHITE GLASSFILLED POLYESTER UL-94V0
5. CONNECTOR PRINTED WITH P/N AND DATE CODE.
6. FOR ACTUAL CONTACT LOADINGS, SEE LOADING PATTERN MATING SIDE.
7. SHAPE OF CONNECTOR HOUSING CAN ALTER DEPENDING ON PRODUCTION LOCATION.
8. THE PRODUCT (LF) MEETS EUROPEAN UNION DIRECTIVES AND OTHER COUNTRY REGULATIONS AS DESCRIBED IN GS-22-008
9. FOR RECOMMENDED PTH DIMENSIONS REFER DRAWING : BS.A , 201572.001

1DEC ±0,2 2DEC ±0,1 ANGLES ±1°	APPR.	DATE	SIGN.	LOADING PATTERN OVERVIEW
	DRAFT	1998-03-23	M.Freit	CAT. No. HM2P07PNU1F1----
WE RESERVE THE RIGHT TO CHANGE DIMENSIONS OR REQUIREMENTS WITHOUT PRIOR NOTICE.	CHECKED			SCALE
	PROD. MGR			FCI www.fciconnect.com
ALL DIMENSIONS IN MM	PR. ENG. MGR			
	PR. MGT. MGR			
	REFERENCES			
				BS.C , 201843, 490 D
				DRAWING No. CUSTOMER DRAWING REVISION

THIS IS OUR EXCLUSIVE PROPERTY. IT IS NOT TO BE COPIED, REPRINTED OR DISCLOSED TO A THIRD PARTY, NOR USED FOR MANUFACTURING WITHOUT OUR WRITTEN CONSENT, AND HAS TO BE RETURNED TO US IN CASE OF NO USAGE
DIT IS ONZE EIGENDOM EN MAG NOCH NAGEMAAKT, HERDRUKT, OVERGEMAAKT AAN DERDEN, NOCH VOOR FABRIKATIE GEBRUIKT WORDEN, ZONDER ONZE SCHRIFTELIJKE TOELATING. BIJ NIET GEBRUIK IS TERUGZENDING VERPLICHT.